

Dc Voltmeter

DCV Series

NEW



General

The device has been designed to measure the voltage of a DC system.

- Wide supply range, 85-265 V AC/DC
- Communication with MODBUS RTU protocol over RS485 line,
- Storing measured maximum and minimum values,
- Easy access to settings and best view under any lighting condition with the help of backlit LCD screen,
- Adjustable measurement period between 1 and 600 seconds.

Electrical Measurement



PRODUCT SELECTION TABLE

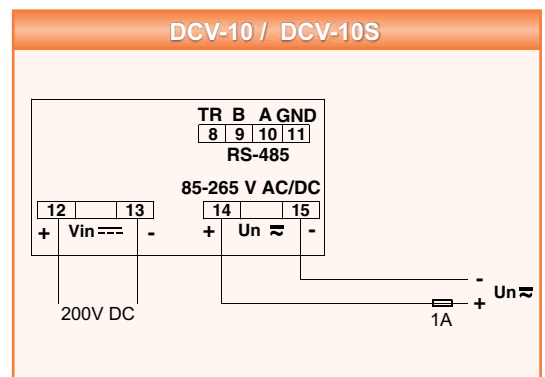
Product Code	Voltage	Max. Value	Min. Value	Output Contact	RS-485 Communication	0/2 - 10V	0/4 - 20mA	Panel Type	Rail Type	Fixed Terminals	85-265V AC/DC	Pcs. / Carton
DCV-10	●	●	●					●			●	20
DCV-10A	●	●	●			○	○	●			●	20
DCV-10S	●	●	●		●			●			●	20
DCV-10C	●	●	●	●				●			●	20
DCV-10CS	●	●	●	●	●			●			●	20

○ Programmable

SPECIFICATIONS

	DCV-10	DCV-10S
ENCLOSURE		
Dimensions	PR 20 48x96 mm	
Protection Class	IP 40	
Weight	0,240 kg	
Display	2.5" backlit LCD screen	
MEASUREMENTS		
Measuring Input Resistor	< 2M	
Accuracy	0.5% ± 1 Digit [(10% - 100%) x full scale]	
Burden (Input Load)	< 1 VA	
Measurement Period	1 - 600 seconds	
Voltage		
Measuring Range	+/- 200V	
Supply		
Operating Voltage	85 - 265V AC/DC	
Power Consumption	< 4 VA	
Operating Frequency	50-60 Hz	
STANDARDS		
Security Standards	EN 61010-1	
EMC Standards	EN 60255	
Mechanical Endurance	EN 60529	
Device Protection Class	Double Insulated - Class II	
Terminal Protection Class	IP 00	
AMBIENT CONDITIONS		
Operating Temperature	-20 / -70°C	
Overvoltage Category	III	
CONNECTIONS		
Mounting	Panel mounting (PR 20)	
Monting Class	III	
Connection Terminals	PR 20 Screwed with socket	
Connection Types	Single Phase, 2 Wires	
Cable Cross-section (For Terminals)	2,5 mm ²	
COMMUNICATION		
Communication Interface / Protocol	Modbus RTU (RS-485) programmable	
Parity	None, Odd, Even	
Address	1-247	
Transfer Speed	2400-38400	

Connection Diagram



Dimensions

