

# Dc Ammeter

DCA Series

**NEW**



## General

The device has been designed to measure the delivered current through the electrical line on a system with the help of an externally connected shunt resistor.

- Wide supply range, 85-265 V AC / DC
- Communication with MODBUS RTU protocol over RS485 line,
- Storing measured minimum and maximum values,
- Easy access to settings and best view under any lighting condition with the help of backlit LCD screen,
- Adjustable measurement period between 1 and 600 seconds.

## PRODUCT SELECTION TABLE

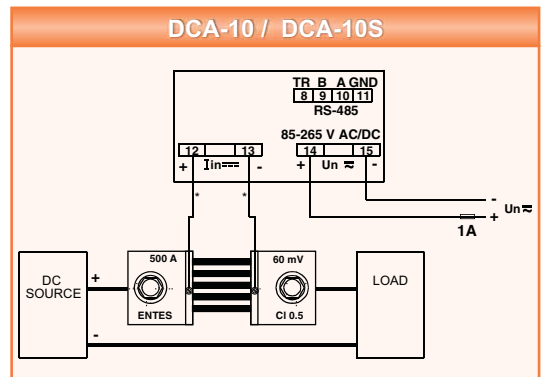
Product Code		Current	Max. Value	Min. Value	Output Contact	RS-485 Communication	0/2 - 10V	0/4 - 20mA	Panel Type	Rail Type	Fixed Terminals	85-265V AC/DC	Pcs. / Carton
DCA-10	DC Ammeter (48x96), class 0,5, Measuring Range: 1A-10kA DC	●	●	●					●			●	20
DCA-10A		●	●	●			○	○	●			●	20
DCA-10S		●	●	●		●			●			●	20
DCA-10C		●	●	●	●				●			●	20
DCA-10CS		●	●	●	●	●			●			●	20

○ Programmable

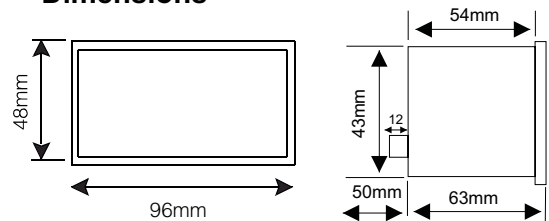
## SPECIFICATIONS

	DCA-10	DCA-10S
<b>ENCLOSURE</b>		
Dimensions	PR 20, 48x96 mm	
Protection Class	IP 40	
Weight	0,240 kg	
Display	2.5" backlit LCD screen	
<b>MEASUREMENTS</b>		
Measuring Input Resistor	1K	
Accuracy	0.5% ± 1 Digit [(10% - 100%) x full scale]	
Burden (Input Load)	< 1 VA	
Measurement Period	1-600 seconds	
<b>Current</b>		
Measuring Range	-10000A - 10000A	
Shunt Current	1A - 10000A (10kA)	
Shunt Voltage	50mV - 150mV	
<b>Supply</b>		
Operating Voltage	85 - 265V AC/DC	
Power Consumption	< 4 VA	
Operating Frequency	50-60 Hz	
<b>STANDARDS</b>		
Security Standards	EN 61010-1	
EMC Standards	EN 60255	
Mechanical Endurance	EN 60529	
Device Protection Class	Double Insulated - Class II	
Terminal Protection Class	IP 00	
<b>AMBIENT CONDITIONS</b>		
Operating Temperature	-20 / -70°C	
Overvoltage Category	III	
<b>CONNECTIONS</b>		
Mounting	Panel mounting (PR 20)	
Mounting Class	III	
Connection Terminals	PR 20 Sockets with screws	
Connection Types	Single Phase, 2 Wires	
Cable Cross-section (For Terminals)	2,5 mm <sup>2</sup>	
<b>COMMUNICATION</b>		
Communication Interface / Protocol	Modbus RTU (RS-485) programmable	
Parity	None, Odd, Even	
Address	1-247	
Transfer Speed	2400-38400	

## Connection Diagram

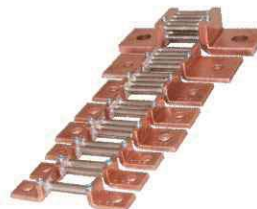


## Dimensions



TYPE PR 20 (48x96)

## Shunts (CL 0,5)



- SA60-30-0,5 (30A)
- SA60-40-0,5 (40A)
- SA60-50-0,5 (50A)
- SA60-60-0,5 (60A)
- SA60-100-0,5 (100A)
- SA60-150-0,5 (150A)
- SA60-250-0,5 (250A)
- SA60-500-0,5 (500A)
- SA60-1000-0,5 (1000A)