

# Ammeters

EPM / EPM-R Series



EPM-4P-96 (SLIM)



EPM-R4D



EPM-34

## General

- True RMS Measurement
  - Programmable Current Transformer Ratio (for EPM34/14 1...1000/5A 1...5000/1A)
  - Non-flammable Enclosure.
  - Double Isolation (□), Category III.
  - Terminal Connection.
  - Flush or Rail Mounting.
  - Ambient Operating Temperature: -5°C, +50°C
  - for EPM14/35 -5°C, +70°C
- IEC 61000-6-2, IEC 61000-6-4, IEC 61010-1.



## PRODUCT SELECTION TABLE

Product Code		3 ~ Current	1 ~ Current	CT-25 (200A)	Dual Demand*	.../1A	.../5A	Demand	Output Contact	Flush Mount	Rail Mount	Fixed Cur. Terminal	24-250V AC/DC	Pcs/ Carton
EPM-4A-72	Direct Ammeter with CT-25 (200A) <b>(CT-25 included)</b>		●	●			●	●		●				16
EPM-4A-96	Direct Ammeter with CT-25 (200A) <b>(CT-25 included)</b>		●	●			●	●		●				12
EPM-4C-48	Ammeter (with Output Contact) <b>(CT-25 not included)</b>		●	●			●	●	●	●				20
EPM-4C-72	Ammeter (with Output Contact) <b>(CT-25 not included)</b>		●	●			●	●	●	●				16
EPM-4C-96	Ammeter (with Output Contact) <b>(CT-25 not included)</b>		●	●			●	●	●	●				12
EPM-4C-OG-96	Ammeter with Output Contact (for MV applications)		●				●	●	●	●		●		12
EPM-4D-48	Ammeter		●				●	●		●				20
EPM-4D-72	Ammeter		●				●	●		●				16
EPM-4D-96	Ammeter		●				●	●		●				12
EPM-4P-96	Ammeter <b>(CT-25 not included)</b>		●	●			●	●	●	●				12
EPM-R4C	Ammeter with Output Contact (Rail Mount)		●				●	●	●		●			16
EPM-R4D	Ammeter (Rail Mount)		●				●	●			●			16
EPM-14-96	Ammeter		●		●	●	●	●		●		●	●	12
EPM-34-96	Ammeter	●			●	●	●	●		●		●	●	12

### CURRENT TRANSFORMERS (For ENTES panelmeters)

#### CT-25

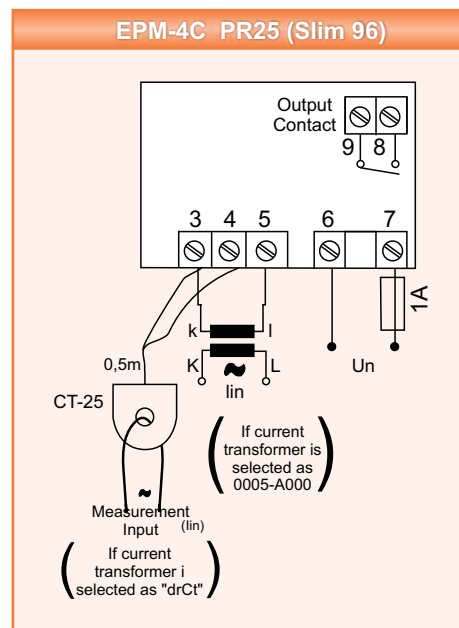
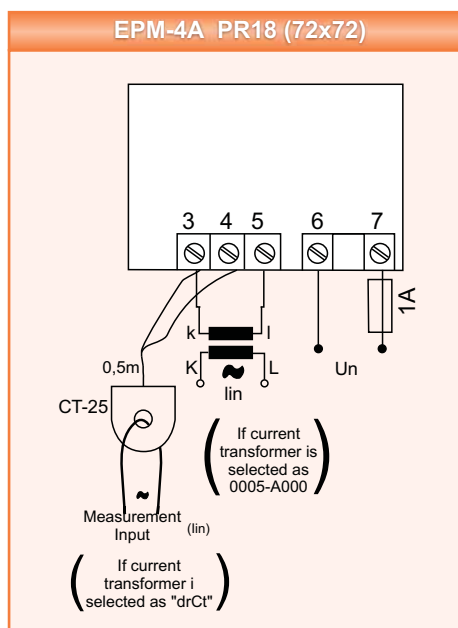
Primary: 1/2500, Inner Diameter : 15.5 mm, Outer Diameter : 43 mm

72

## SPECIFICATIONS

	Panel - Mounted				Rail - Mounted	
	EPM-4D	EPM-4C	EPM-4P	EPM-34	EPM-4A	EPM-R4D / EPM-R4C
<b>ENCLOSURE</b>						
Dimensions	72x72mm PR18; Slim96 PR25, 48x96mm PR20		Slim96 PR25, 48x96mm PR20		72x72mm PR18; Slim96 PR25	
Weight	0,31kg/16pcs (PR18), 0,28kg/20pcs (PR20), 0,35kg/12pcs (PR25)			0,34kg / package = 12 pcs	0,31kg/16pcs(PR18) 0,35kg/12pcs(PR25)	
Display	Red LED; 14mm			Red LED;12mm	Red LED;14mm	
<b>MEASUREMENT</b>						
Accuracy	%1±1digit			%0,5±1digit	%1±1digit	
Burden(Input Load)				<0,5±1VA		
<b>Voltage</b>						
Measuring Range	50mA-5,5A	50mA-5,5A CT25 ile 70mA-200A)		5mA...5.5A (X/5A) 5mA...1.1A (X/1A)	50mA-5,5A CT25 ile 70mA-200A)	
Measuring Range with Transformer	50mA...10kA			5mA...5500A	50mA...10kA	
Burden (Input Load)				<0.5VA		
Delay Time	0-999,9 second				0-999,9 second	
Demand/Demand Time	1-60 minute			1-60 min./1-60sec.	1-60 minute	
<b>SUPPLY</b>						
Operating Voltage	110/230V AC±10%			24-250VAC/DC	110/230VAC±10%	
Power Consumption				<4VA		
Operating Frequency				45-65Hz		
<b>OUTPUT / SETTINGS</b>						
Output Contact				1NO,5A 1250VA	1NO,5A 1250VA	
<b>STANDARDS</b>						
Security Standards				EN 61010-1		
EMC Standards				EN 61000-4-2, EN 61000-6-4		
Mechanical Endurance				EN 60529		
<b>AMBIENT CONDITIONS</b>						
Operating Temperature	-5 / +50°C			-5 / +70°C	-5 / +50°C	
Overvoltage Category				III		
<b>CONNECTIONS</b>						
Mounting	Flush Mounting				Rail Mounting	
Connection Terminals				PR18,PR19 screwed with socket ; PK20 screwed		
Connection Types	Single Phase, 2 wires			Three Phases, 3 wires	Single Phase, 2 wires	

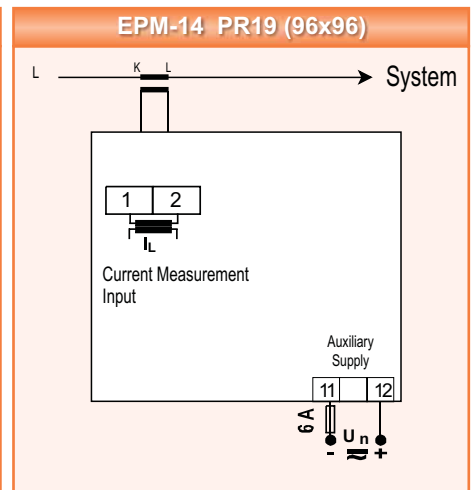
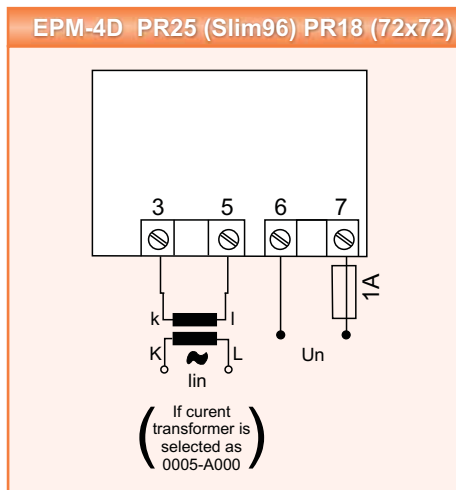
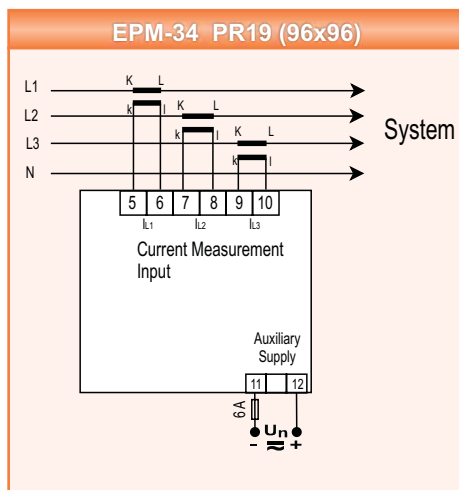
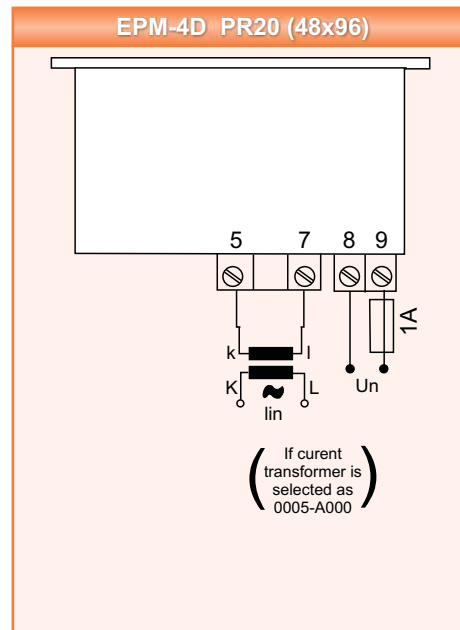
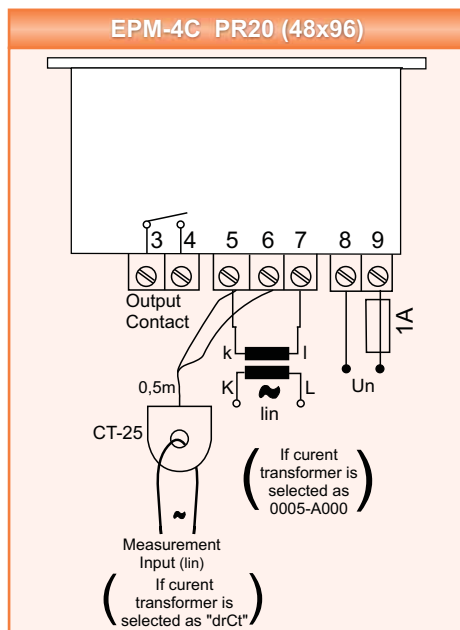
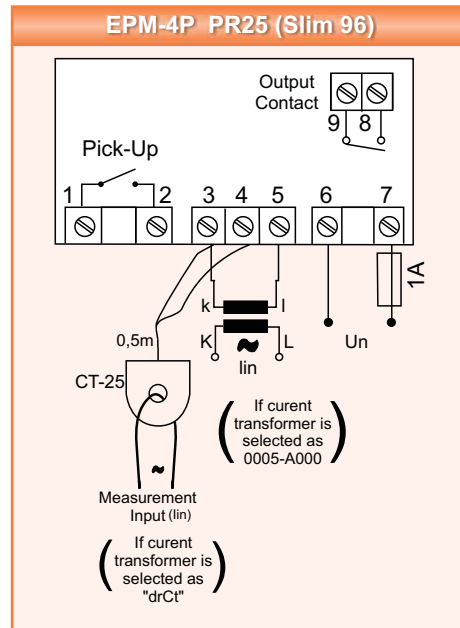
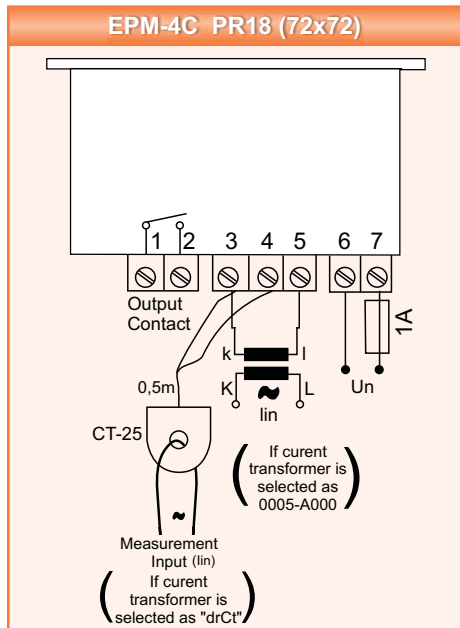
## Connection Diagram



# Ammeters

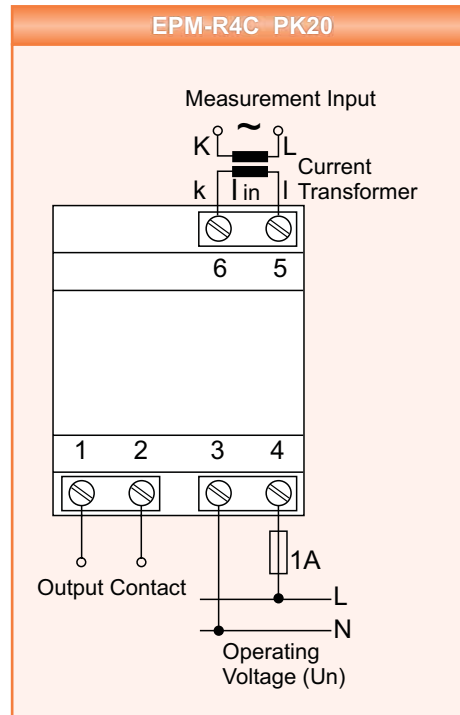
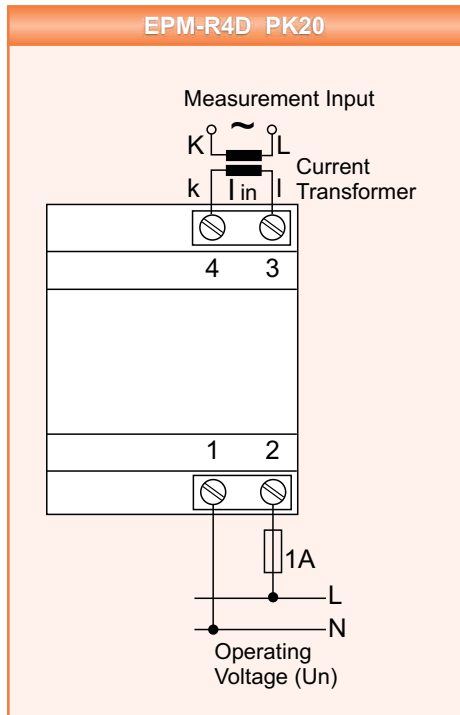
EPM / EPM-R Series

## Connection Diagram

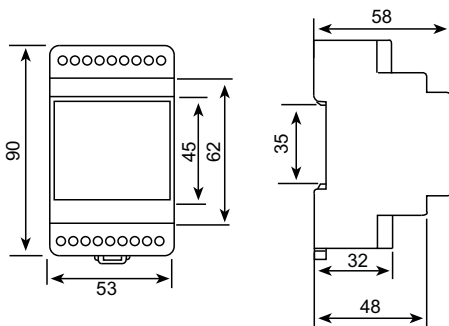


Electrical Measurement

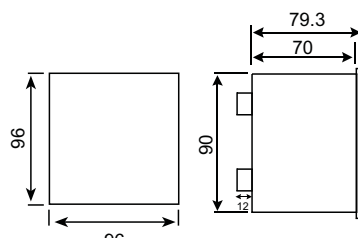
## Connection Diagram



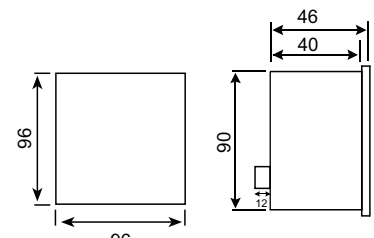
## Dimension



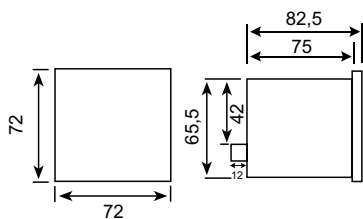
**TYPE PK 20**



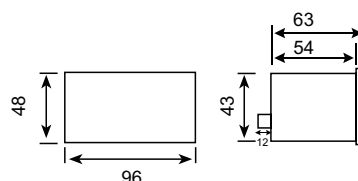
**TYPE PR 19 (96x96)**



**TYPE PR 25 (slim 96)**



**TYPE PR 18 (72x72)**



**TYPE PR 20 (48x96)**