



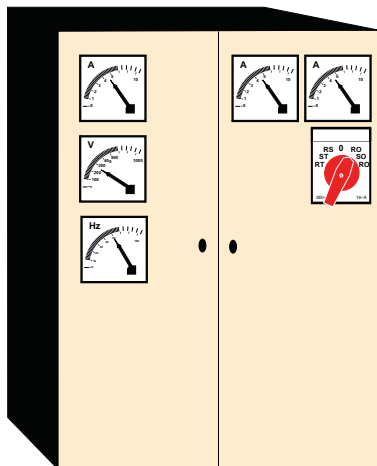
General

- 3-Phase
- Measured Parameters : V, A, Hz
- Max. / Min. and Demand Values
- LED Display
- Password Protection
- Run Hour (resettable) and Total Run Hour (non-resettable)(for EPM-04h)
- EPM-04h is for generator applications.

PRODUCT SELECTION TABLE

Product Code	3 ~ Voltage	3 ~ Current	CoSφ	Hz (Frequency)	I neutral	Demand	Max. Values	Min. Values	Alarm Contact	Under / Over Voltage Protection	Under / Over Current Protection	Under / Over Frequency Protection	RS-485 Comm.	.../5A	CT-25 (120A)	Run Hour(Resettable)	Total Run Hour (Non-resettable)	Flush Mount	Rail Mount	Pcs / Carton
EPM-04-96	●	●		●	●	●	●	●						●	○			●		12
EPM-04h-96	●	●		●	●	●	●	●						●	○	●	●	●		12
EPM-04h-96-CT25	●	●		●	●	●	●	●						●	○	●	●	●		12
EPM-04-DIN	●	●		●	●	●	●	●						●	○				●	12
EPM-04C-96	●	●		●	●	●	●	●	●	●	●	●		●	○			●		12
EPM-04C-DIN	●	●		●	●	●	●	●	●	●	●	●		●	○			●	●	12
EPM-04CS-96	●	●	●	●	●	●	●	●	●	●	●	●	●	●	○			●		12
EPM-04CS-DIN	●	●	●	●	●	●	●	●	●	●	●	●	●	●	○			●	●	12
EPM-06-96	●	●	●	●	●	●	●	●						●	○			●		12
EPM-06-DIN	●	●	●	●	●	●	●	●						●	○				●	12
EPM-06C-96	●	●	●	●	●	●	●	●	●	●	●	●		●	○			●		12
EPM-06C-DIN	●	●	●	●	●	●	●	●	●	●	●	●		●	○			●	●	12
EPM-06CS-96	●	●	●	●	●	●	●	●	●	●	●	●	●	●	○			●		12
EPM-06CS-DIN	●	●	●	●	●	●	●	●	●	●	●	●	●	●	○			●	●	12
EVM-05C-96	●			●			●	●	●	●		●						●		12
EVM-05C-DIN	●			●			●	●	●	●		●							●	12

○ Min. Order Quantity is 200pcs/device.



Multimeters

EPM-04 / EPM-06 / EVM-05

SPECIFICATIONS

	EPM-04	EPM-04h	EPM-04C	EPM-04CS	EPM-06	EPM-06C	EPM-06CS	EVM-05C
ENCLOSURE								
Dimensions	96x96mm PR19, DIN6 PK26							
Degree of Protection	IP40 Front Panel, IP54 Optional							
Weight	0,56kg/pcs; carton:12 pcs (PR19) / 0,52kg/pcs; carton:12 pcs (PK26)							0,45kg/pcs; carton:12 pcs
Display	Red LED; Height 10mm(PR19) / 9,2mm(PK26)							
MEASUREMENT								
Voltage								
Measurement Range	10-300V AC (L-N), 10-500VAC (L-L)							
Measurement Range with Transformer	10-400KV							
Accuracy	%1±1 digit							
Input Impedance	1.8 MΩ							
Current								
Nominal Current	5.5 A							
Measurement Range	50mA-5,5A Accuracy: %1 ±1 digit							
Measurement Range with Transformer	50mA-10kA							
Burden(Input Load)	<0.5 VA							
Over Current Load	1.2 In							
Demand/Demand Time	1-60 min. Programmable							
Frequency	45-65 Hz							
SUPPLY								
Operating Voltage	110VAC/230VAC, ±%10 or 45-265VAC/DC							
Operating Frequency	45-65Hz							
Power Consumption	<4 VA							
INPUT/OUTPUT								
Delay Time	Delay on and delay off 0-999,9 sn							
Contact Output	-		5A 1250VA		-		5A 1250VA	
AMBIENT CONDITIONS								
Operating Temperature	-5 / +50°C							
Overvoltage Category	III							
Pollution Degree	II							
Ambient Humidity	%90							
STANDARDS								
Security Standards	EN 61010-1							
EMC Standards	EN 61000-6-2, EN 61000-6-4							
Mechanical Endurance	EN 60529							
CONNECTIONS								
Mounting	Flush mounting(PR19), Rail mounting(PK26)							
Connection Terminals	Screwed terminal with socket (PR19), Screwed terminal(PK26)							
Connection Types	3 phase neutral (3P4W) ve 3 phase (3P3W)							

Electrical Measurement



MEASURED PARAMETERS

Phase-Neutral Voltage (V_{LN})		Phase Currents (I)	
Phase-Phase Voltage (V_{LL})		Max. Demand	
Frequency (Hz)	Neutral Current	Max / Min. Values	

EPM-04 / 04C / 04CS



Cosφ

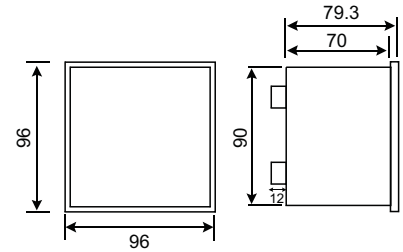
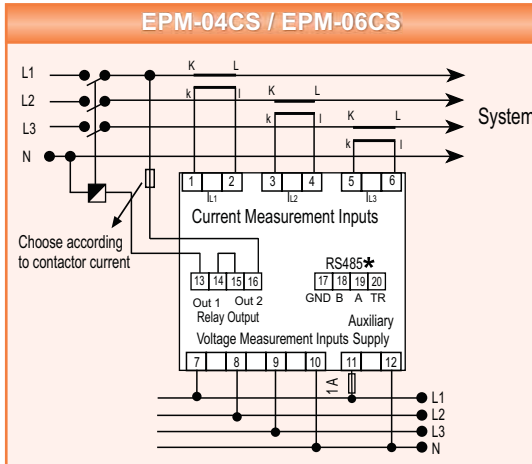
EPM-06 / 06C / 06CS

Note: EPM-04h has two hourmeters.

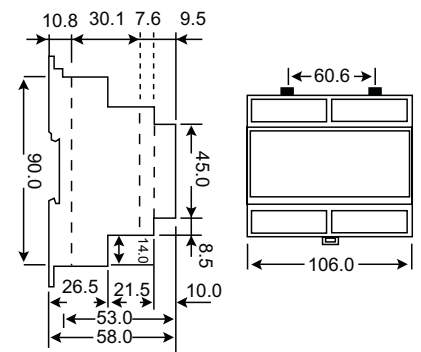
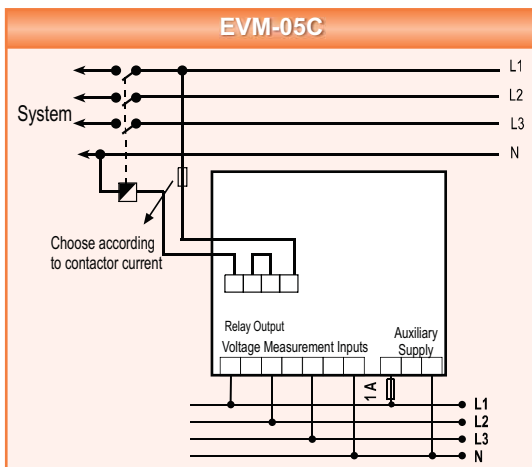
Connection Diagram

(PR19- 96x96mm)

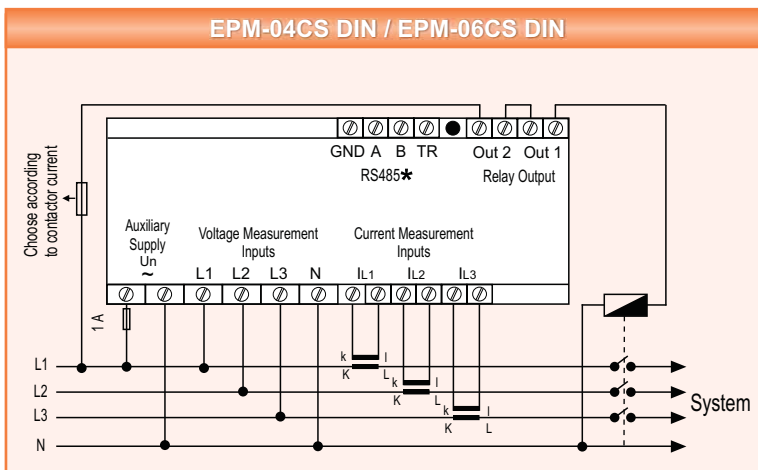
Dimensions



TYPE PR 19



TYPE DIN 4 / PK 26



See page 52 for Current Transformers

