

Power & Energy Meters

EPR Series / ES Series



EPR-04S-96



EPR-04S-DIN-CT25

CT-25



General

EPR-04: Digital Power and Energymeter

EPR-04, measures active / reactive / apparent power and active / reactive energy for each phase and $\cos\phi$ in 4 displays.

EPR-04S: Digital Powermeter with RS-485

In addition to EPR-04 features, EPR-04S has RS-485 communication. Power, energy and $\cos\phi$ values can be monitored via MPR-SW software.

Specifications

Nonflammable enclosure, double isolation (□), Mounting Class III, Terminal connection, Flush mounting, IP40 (front panel), IP00 (terminal), IEC 61010-1, IEC 61000-6-2, IEC 61000-6-4

PRODUCT SELECTION TABLE

Product Code	Co ϕ	W	Var	VA	Σ W	Σ Var	Σ VA	kWh A. Energy	kVAh R. Energy	Dual Energy Measurement	Demand	Digital Input	Energy Pulse	.../5A	CT-25 (120A)	RS-485 Comm.	Pcs/Cartron
EPR-04-96	●	●	●	●	●	●	●	●	●	●	●	●	●	●			12
EPR-04-DIN	●	●	●	●	●	●	●	●	●	●	●	●	●	●			12
EPR-04S-96	●	●	●	●	●	●	●	●	●	●	●	●	●	●		●	12
EPR-04S-DIN	●	●	●	●	●	●	●	●	●	●	●	●	●	●		●	12
EPR-04S-DIN-CT25	●	●	●	●	●	●	●	●	●	●	●	●	●	●	●	●	12
ES-32L								●					●				10
ES-80L								●					●				10

See page 54 for CT-25

SPECIFICATIONS

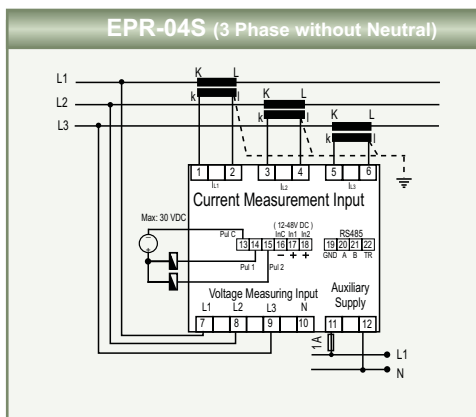
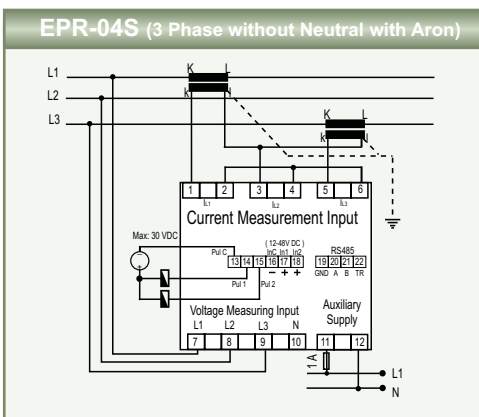
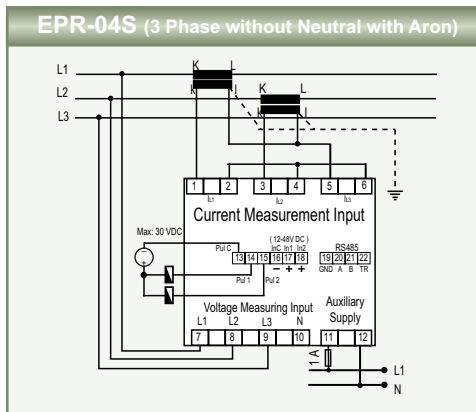
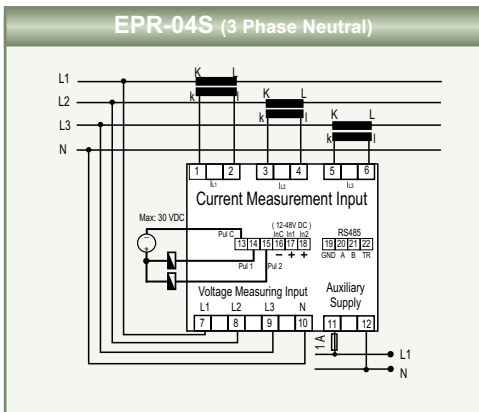
EPR-04, EPR-04S

ENCLOSURE		SUPPLY	
Dimensions	96x96mm PR19, DIN6 PK26	Operating Voltage	110VAC/230VAC \pm % 10 or 45-265V AC/DC
Degree of Protection	IP40 Front Panel, IP54 Optional	Operating Frequency	45-65 Hz
Weight	0,5kg/pcs; carton: 12 pcs	INPUT/OUTPUT/SETTINGS	
Display	Red LED; Height 10mm	Digital Input	2 pcs
MEASUREMENT		Digital Input Pulse Width	20msec.
Voltage		Digital Input Operating Voltage	12...48VAC/DC
Measurement Range	10-300V AC (L-N), 10-500VAC (L-L)	Energy Pulse Output	NPN Transistor
Measurement Range with Transformer	10-200kV	Switching Current	Max 50mA
Accuracy	%1 \pm 1 digit [(%10-%110)xFull scale]	Switching Voltage	Max 30VDC
Input Impedance	1.8 M Ω	Pulse Duration	100msec period 80msec width
Burden (Input Load)	<0.5 VA	AMBIENT CONDITIONS	
Current		Ambient Temperature	-5 / +55 $^{\circ}$ C
Nominal Current	5,5A	Over Voltage Category	III
Minimum Current	50mA	Pollution Degree	II
Measurement Range	50mA-5,5A	Humidity	%90
Measurement Range with Transformer	50mA-10kA	STANDARDS	
Burden	<1 VA	Security Standards	EN 61010-1
Over Load Current	1,2 In	EMC Standards	EN 61000-4-5, EN 61000-4-4, EN 61000-4-2, EN 61000-4-11
Power/Energy		Mechanical Endurance	EN 60529
Active Power	0-215 MW	CONNECTIONS	
Reactive Power	0-215 MVar	Mounting	Flush mounting (PR 19) / Rail mounting (PK 26)
Apparent Power	0-215 MVA	Connection Terminals	Screwed terminal with socket
Power Consumption	<4VA	Connection Types	3 phase neutral, 3 phase, 3 phase (Aron)
Active Energy	9 999 999,9 Mwh		
Reactive Energy	9 999 999,9 MVarh		

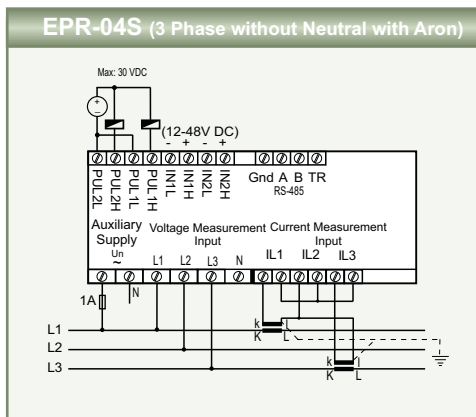
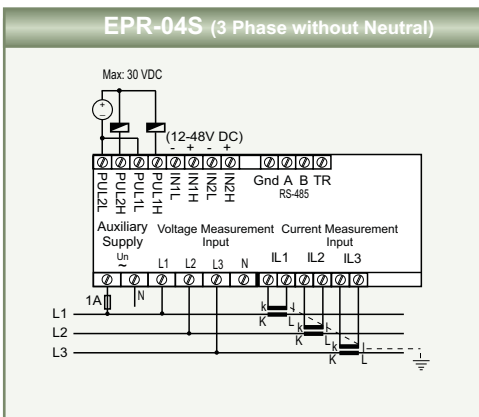
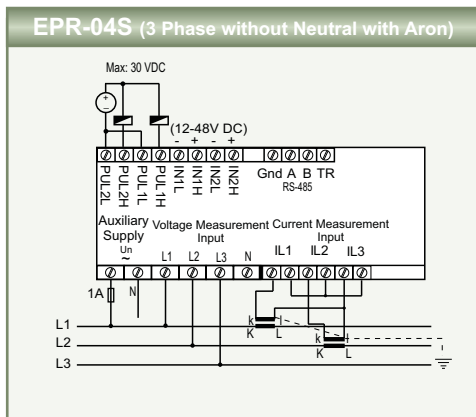
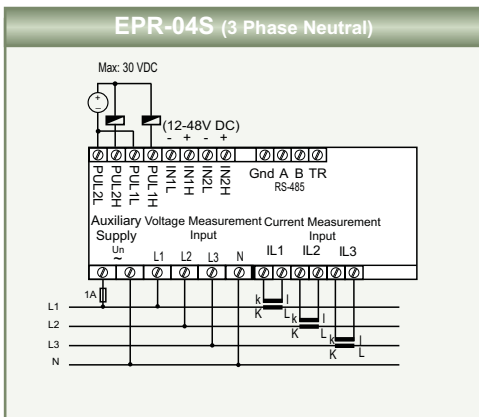
Power & Energy Meters

EPR Series / ES Series

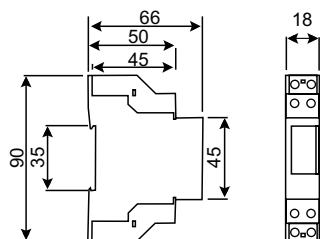
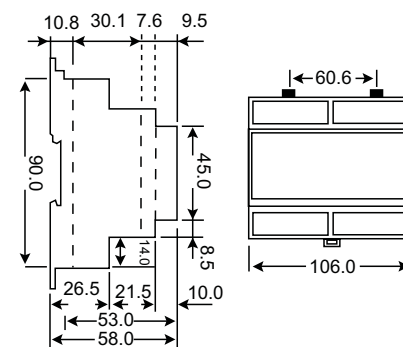
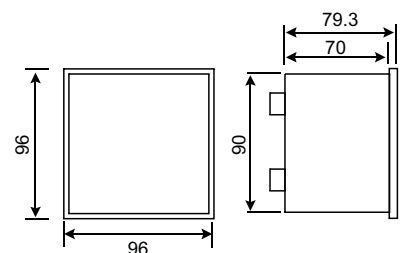
Connection Diagram (PR19- 96x96mm)



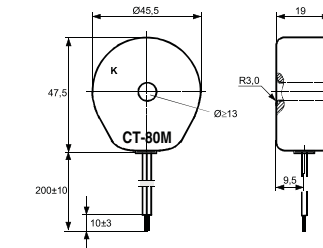
(PK 26 - DIN6)



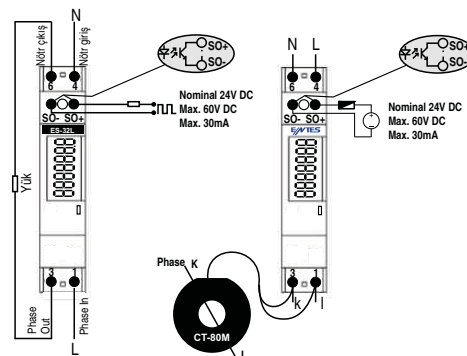
Dimensions



Note: Should not be used for billing purposes.



Connection Diagram



- The device has pulse outlets for remote reading and central data storage.
- By flashing, the LED on the front panel makes it possible to observe whether the measuring is active or not.
- The LCD display on the front panel makes easy and accurate power reading possible.

Connection diagrams are given for reference. Please always check the latest user manual given with product or download from www.entes.com.tr.