



Product range >> Current transformers for industry

**art. nr.: 6077**

**ASK 21.3 100/5A 3.75VA Cl.1**



### Electrical Attributes:

Primary current:	100 A
Secondary current:	5 A
Burden:	3,75 VA
Class:	1

### Dimensions:

Bus bar 1:	20 x 10 mm
Round conductor:	19,2 mm
Width:	61 mm
Height:	75,5 mm
Depth:	48 mm

### Technical details:

Therm. nominal continuous current  $I_{cth}$ :  $1,0 \times I_N$   
Therm. nominal short-time current  $I_{th}$ :  $60 \times I_N$ , 1 sec.  
Max. operating voltage  $U_m$ : 0.72 kV  
Isolation test voltage: 3 kV,  $U_{eff}$ , 50 Hz, 1 min.  
Nominal rated frequency: 50 Hz  
Isolation class: E

### Further information:

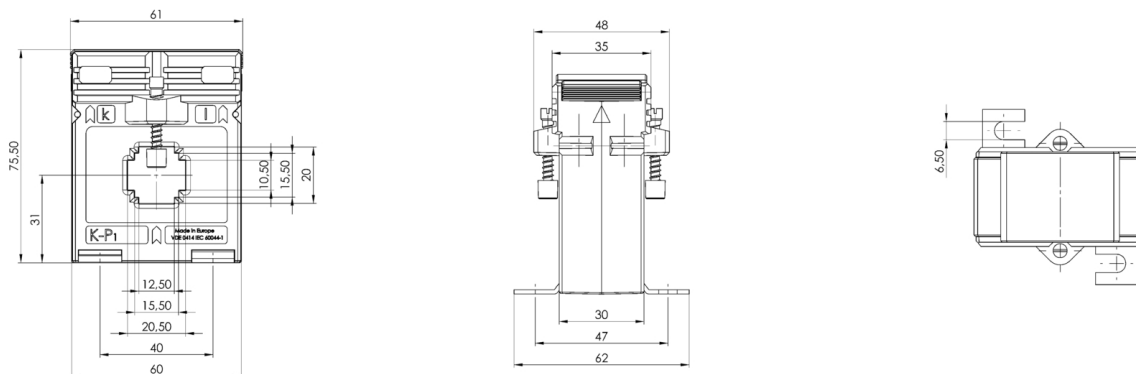
Over-current limiting factor:	See rating plate
Working temperature range:	$-5^\circ\text{C} < T < +40^\circ\text{C}$
Storage temperature range:	$-25^\circ\text{C} < T < +40^\circ\text{C}$
Unbreakable plastic housing made of black polycarbonate:	Flame resistant, ultrasonically welded
Nickel-plated secondary terminals with plus-minus nickel-plated screws:	M5x10mm
Secondary caps:	integrated
Package quantity:	1 pcs.
Custom tariff number:	85043129



# MBS AG 'Sulzbach Messwandler'



## Dimensions:



## Contact:

MBS AG  
Sulzbach Messwandler  
Eisbachstraße 51  
D-74429 Sulzbach-Laufen

Tel.: +49 7976 9851-0  
Fax: +49 7976 9851-90  
orders@mbs-ag.com

