



Product range >> Current transformers for industry >> Plug-in current transformer (ASK/CTB)

art. nr.: 11061

ASK 41.3 750/5A 5VA CI.1



Electrical Attributes:

Primary current:	750 A
Secondary current:	5 A
Burden:	5 VA
Class:	1

Dimensions:

Bus bar 1:	40 x 12 mm
Bus bar 2:	32 x 18 mm
Round conductor:	26 mm
Width:	61 mm
Height:	75,5 mm
Depth:	48 mm

Technical details:

Therm. nominal continuous current I_{cth} :	$1,0 \times I_N$
Therm. nominal short-time current I_{th} :	$60 \times I_N$, 1 sec.
Max. operating voltage U_m :	0.72 kV
Isolation test voltage:	3 kV, U_{eff} , 50 Hz, 1 min.
Nominal rated frequency:	50 Hz
Isolation class:	E

Further information:

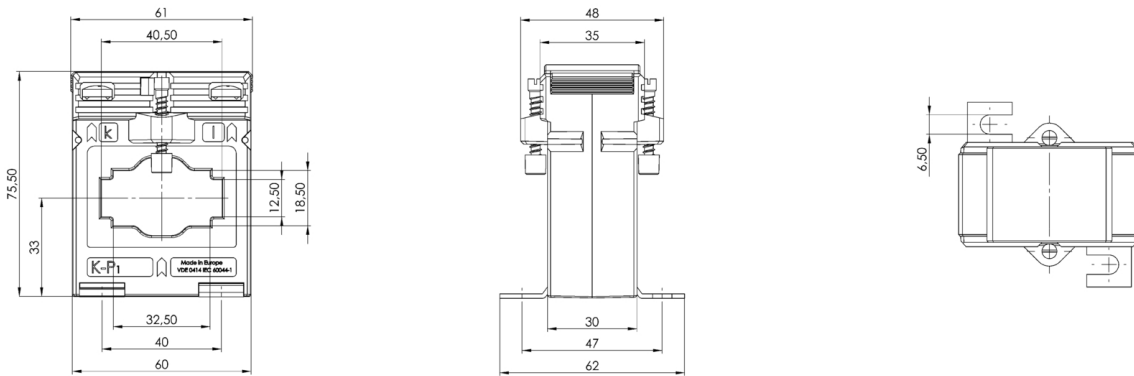
Over-current limiting factor:	See rating plate
Working temperature range:	$-5^{\circ}\text{C} < T < +40^{\circ}\text{C}$
Storage temperature range:	$-25^{\circ}\text{C} < T < +40^{\circ}\text{C}$
Unbreakable plastic housing made of black polycarbonate:	Flame resistant, ultrasonically welded
Nickel-plated secondary terminals with plus-minus nickel-plated screws:	M5x10mm
Secondary caps:	integrated
Package quantity:	1 pcs.
Custom tariff number:	85043129



MBS AG 'Sulzbach Messwandler'



Dimensions:



Contact:

MBS AG
Sulzbach Messwandler
Eisbachstraße 51
D-74429 Sulzbach-Laufen

Tel.: +49 7976 9851-0
Fax: +49 7976 9851-90
orders@mbs-ag.com

